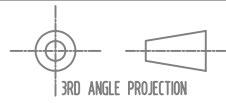


0.8 Full size



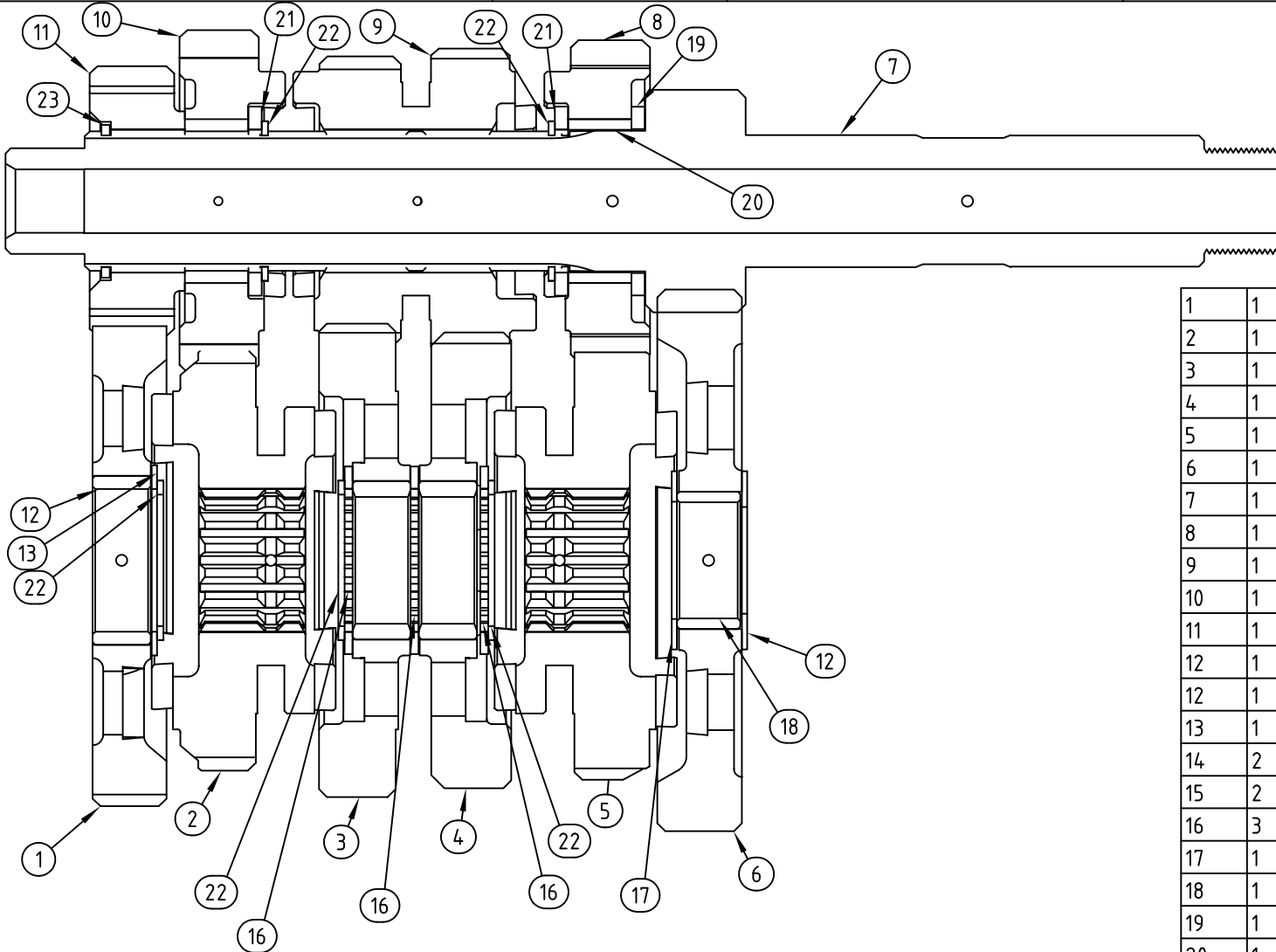
Project
Suzuki GSXR1000

Name of part Layout 6 speed B

Date 10 July 03

File 0061

History: file



Modified 5th input/spline washer and plainwasher positions 27 Feb 03

1	1	00798 2ND OUTPUT Z35
2	1	01389 GSXR1000 6TH OUTPUT Z29
3	1	01391 GSXR1000 3RD OUTPUT Z32
4	1	01394 4TH GSXR1000 OUTPUT Z32
5	1	01388 GSXR1000 5TH OUTPUT Z31
6	1	00789 1ST OUTPUT Z40
7	1	01336 GSXR INPUT SHAFT Z15
8	1	01393 GSXR1000 5TH INPUT Z22
9	1	01390 GSXR1000 3-4INPUT Z19-21
10	1	01392 GSXR1000 6TH INPUT Z22
11	1	00778 2ND INPUT Z18
12	1	00786 BUSH PLAIN 11X32X27
12	1	00788 WASHER PLAIN 1X34X20
13	1	00800 WASHER 1X36X27.5
14	2	00790 BEARING NEEDLE 13.5X34X20
15	2	00799 BUSH SPLINED 11X30X24
16	3	00792 WASHER SPLINED 1.5X35.5
17	1	00791 WASHER PLAIN 1X34X22
18	1	00787 BUSH PLAIN 12X26X22
19	1	00783 WASHER PLAIN 2.5X35.7X27.25
20	1	00784 BUSH PLAIN 12X31X27
21	2	00780 SPLINED WASHER 2.5X35.8
22	5	00781 CIRCLIP 1.2X26
23	1	00777 CIRCLIP SQUARE 1_6X28X24

Nova Racing Transmissions Ltd

© 2003

Drawn M. FORD-DUNN

Checked

DIMENSIONS IN MILLIMETRES

