

Project

Honda CB500/4

Name Of Part **Fork Modification**

Date **14/12/10**

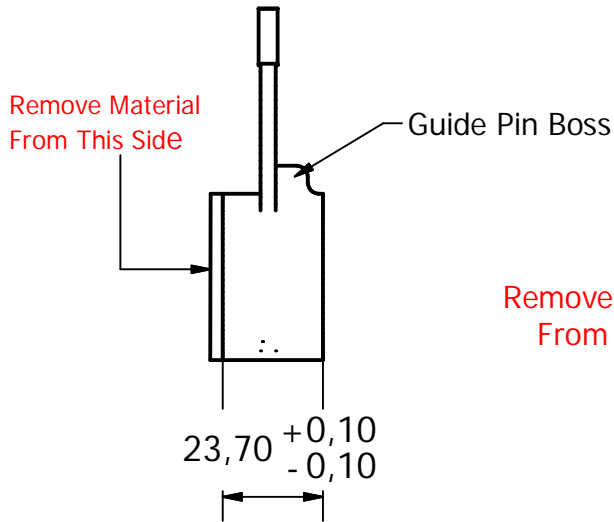
File

History File

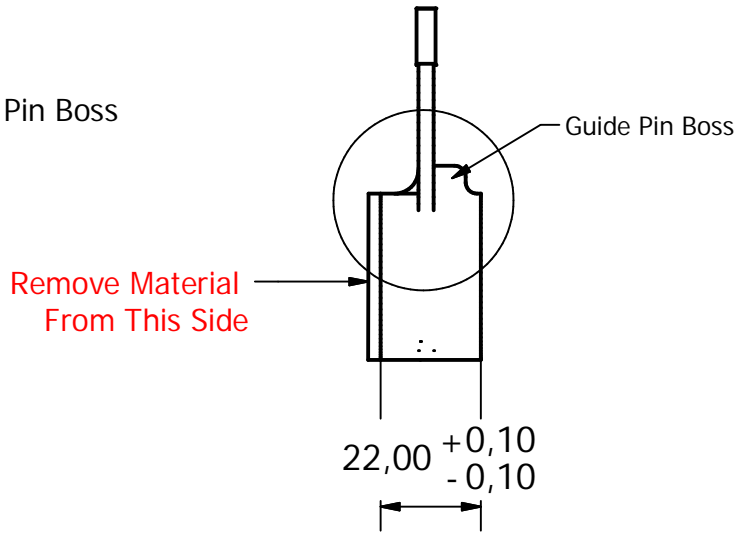
Unspecified chamfer and radii 0.5mm
Material

Date

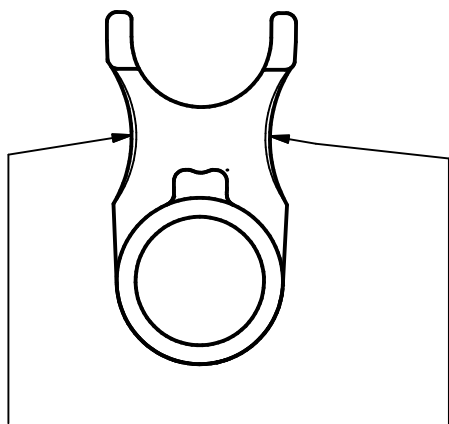
3rd/4th Input Fork



6th Output Fork



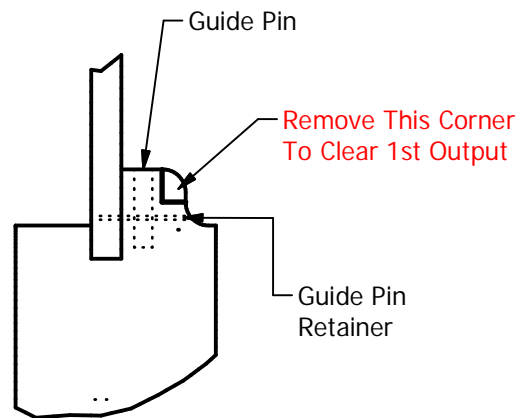
5th & 6th Output Fork



Remove material from this side of the 6th fork to allow the fork to clear the input shaft gears whilst shifting.

Remove material from this side of the 5th fork to allow the fork to clear the input shaft gears whilst shifting.

5th Output Fork



Nova Racing Transmissions Ltd

Drawn

Checked

DIMENSIONS IN MILLIMETERS